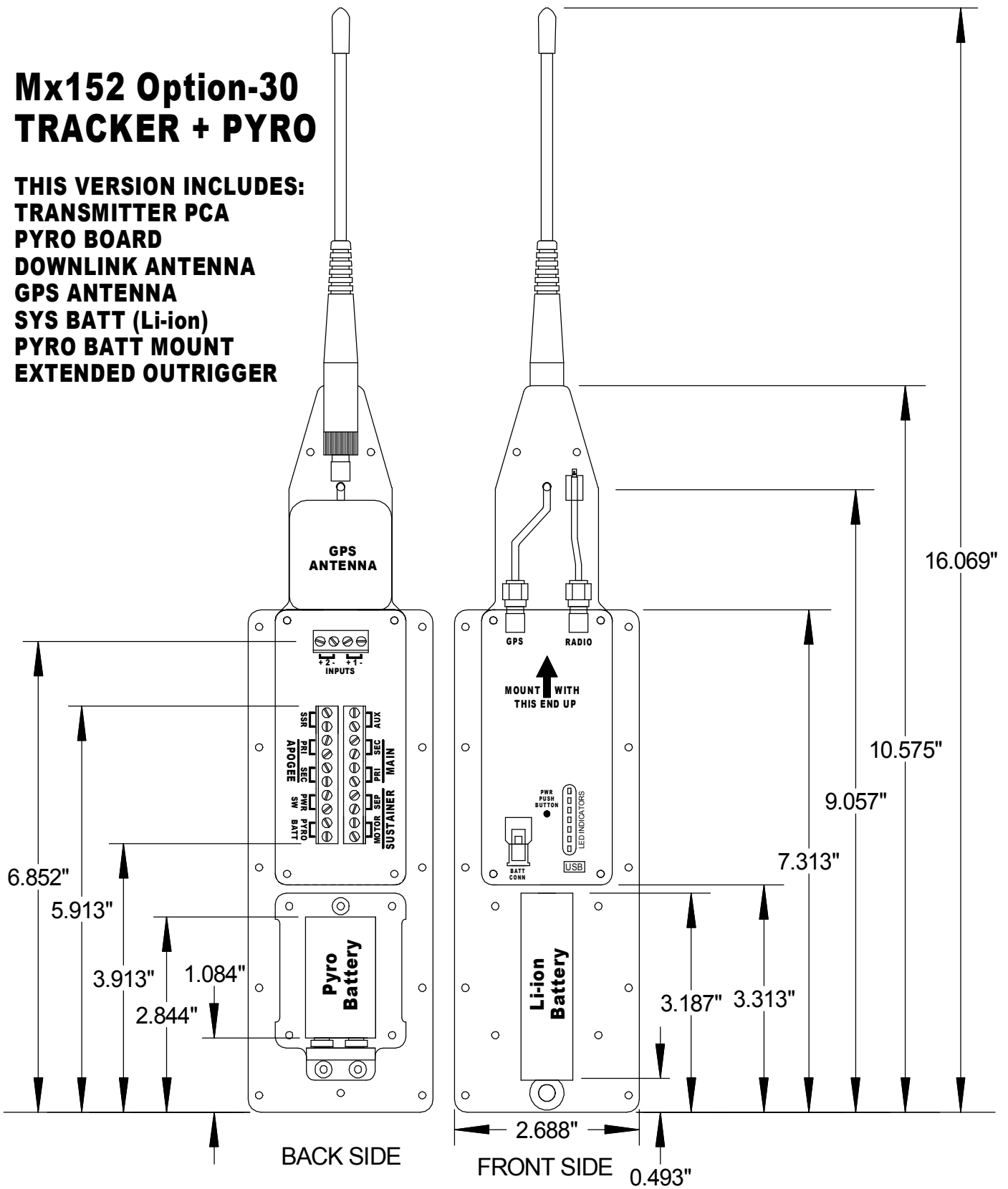


Mx152 Option-30 TRACKER + PYRO

**THIS VERSION INCLUDES:
TRANSMITTER PCA
PYRO BOARD
DOWNLINK ANTENNA
GPS ANTENNA
SYS BATT (Li-ion)
PYRO BATT MOUNT
EXTENDED OUTRIGGER**



Multitronix
www.multitronix.com

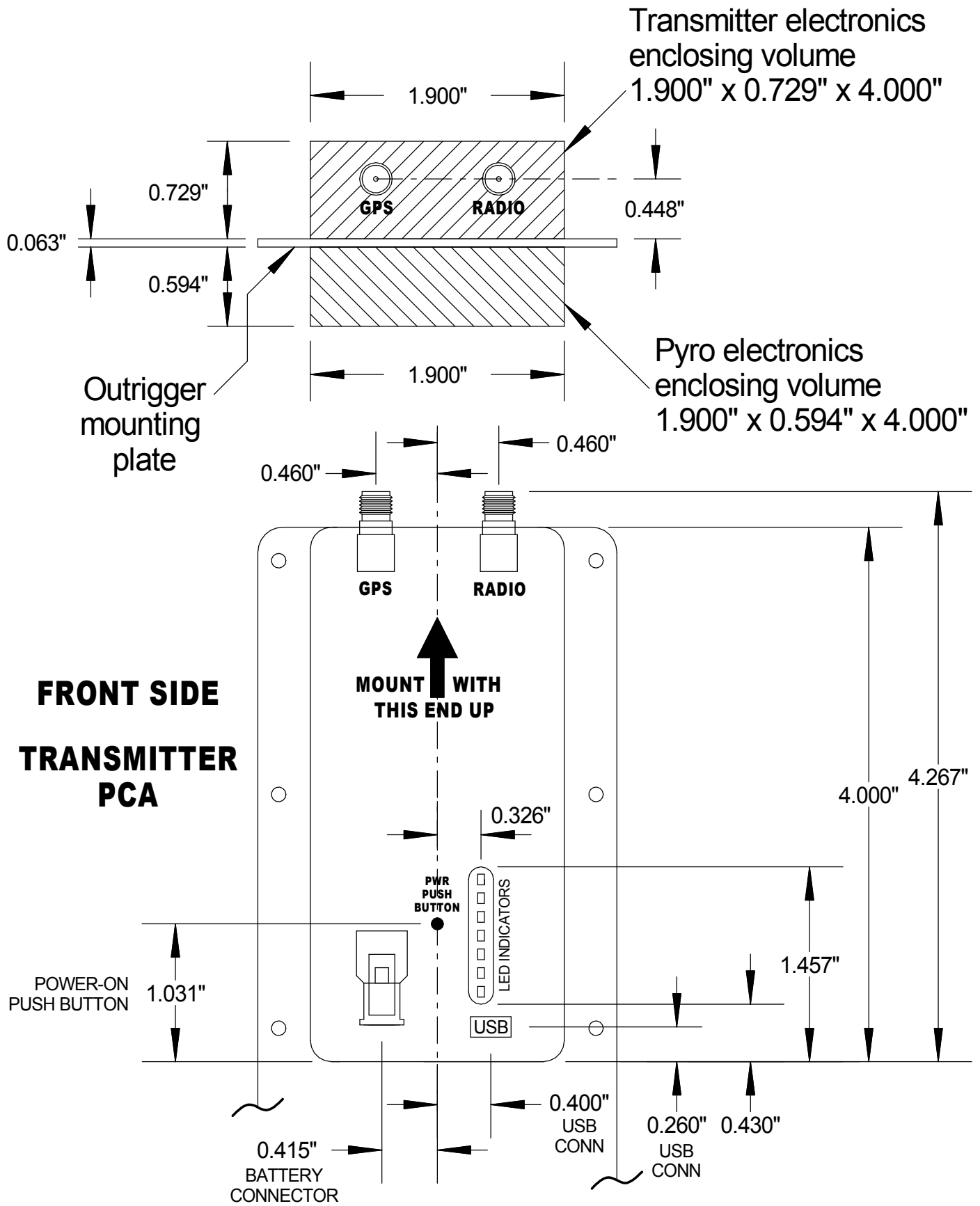
Mx152 Option-30 Extended Outrigger

Engineer: Vern Knowles

7/8/2019

Rev-A

Sheet 1 of 4



Multitronix
www.multitronix.com

Mx152 Option-30 Extended Outrigger

Engineer: Vern Knowles

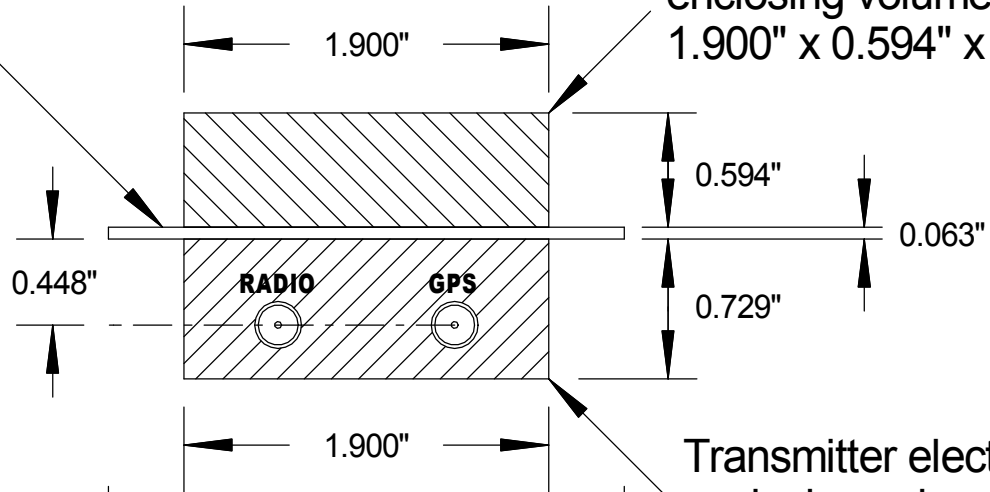
7/8/2019

Rev-A

Sheet 2 of 4

Outrigger mounting plate

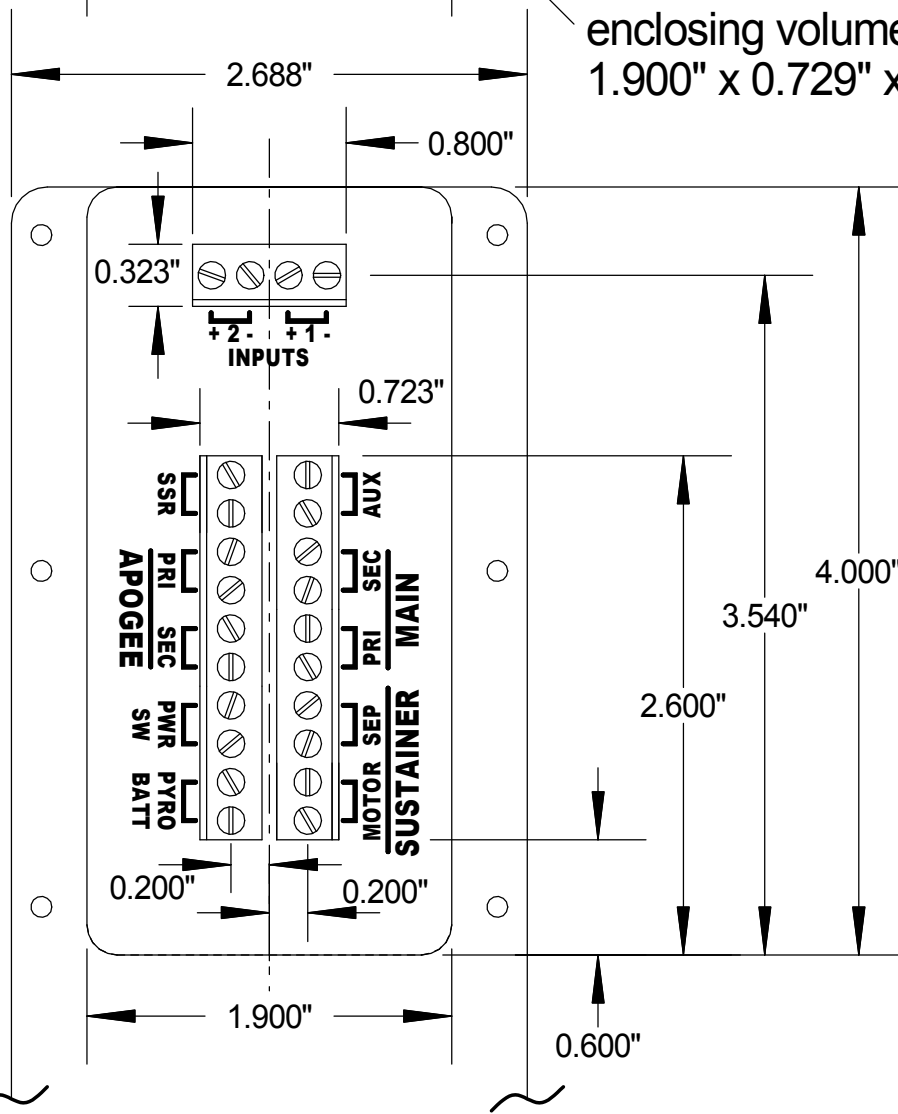
Pyro board electronics enclosing volume
1.900" x 0.594" x 4.000"



Transmitter electronics enclosing volume
1.900" x 0.729" x 4.000"

MOUNT WITH THIS END UP

BACK SIDE
PYRO BOARD



Multitronix
www.multitronix.com

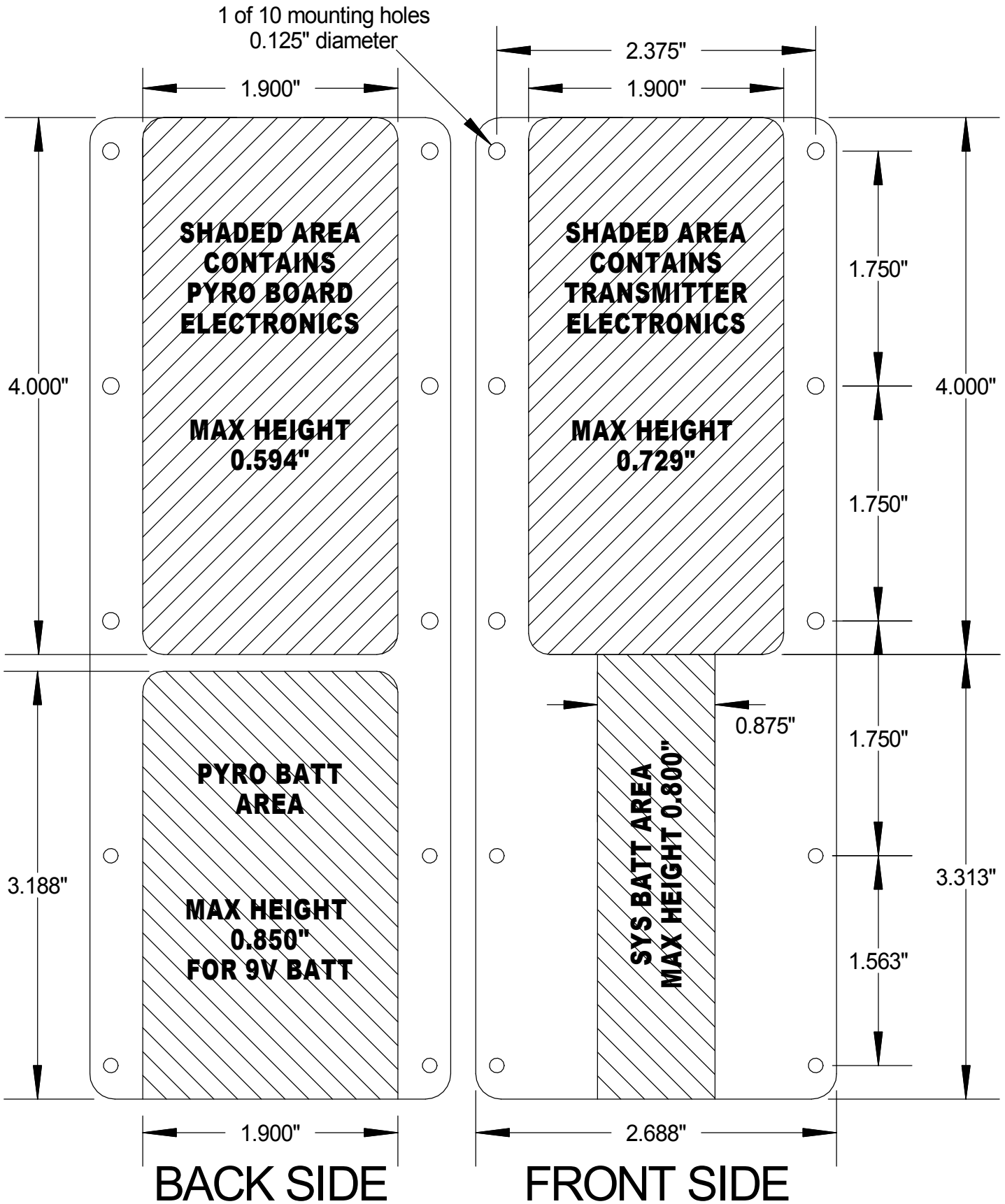
Mx152 Option-30 Extended Outrigger

Engineer: Vern Knowles

7/8/2019

Rev-A

Sheet 3 of 4



Multitronix
www.multitronix.com

Mx152 Option-30 Extended Outrigger

Engineer: Vern Knowles

7/8/2019

Rev-A

Sheet 4 of 4