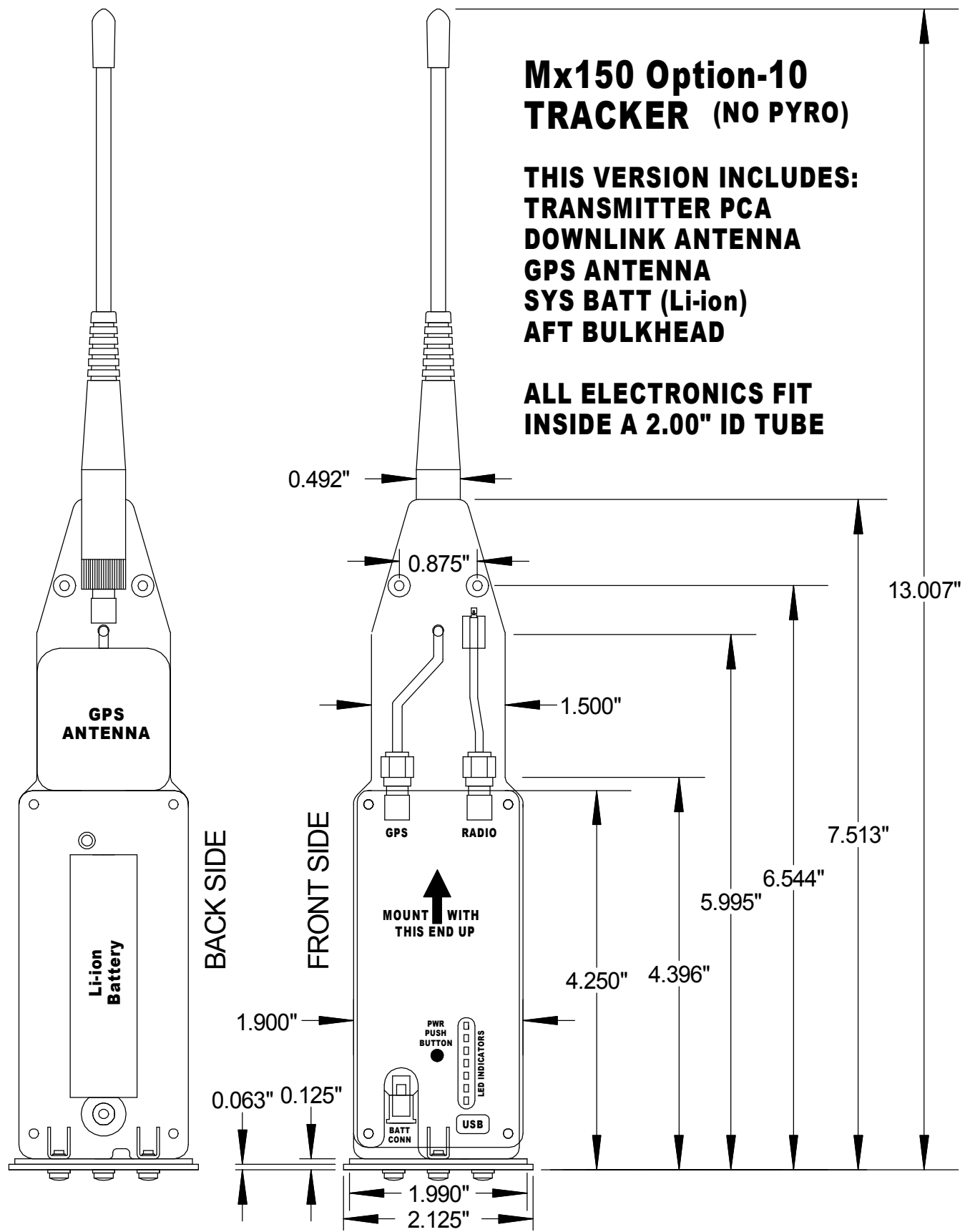


Mx150 Option-10 TRACKER (NO PYRO)

**THIS VERSION INCLUDES:
TRANSMITTER PCA
DOWNLINK ANTENNA
GPS ANTENNA
SYS BATT (Li-ion)
AFT BULKHEAD**

**ALL ELECTRONICS FIT
INSIDE A 2.00" ID TUBE**



Multitronix
www.multitronix.com

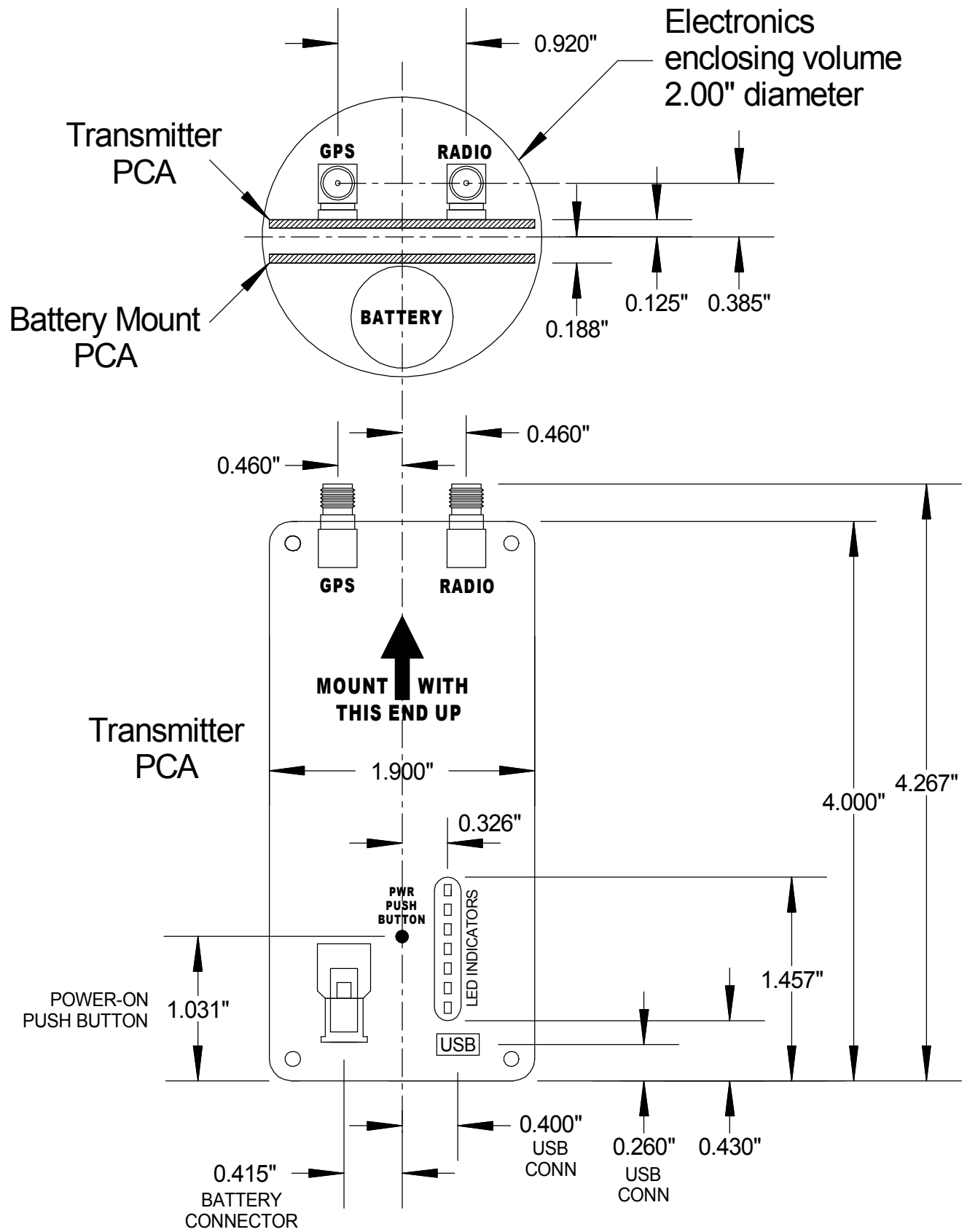
Mx150 Option-10 Tube Mount Version

Engineer: Vern Knowles

7/5/2019

Rev-A

Sheet 1 of 3



Multitronix
www.multitronix.com

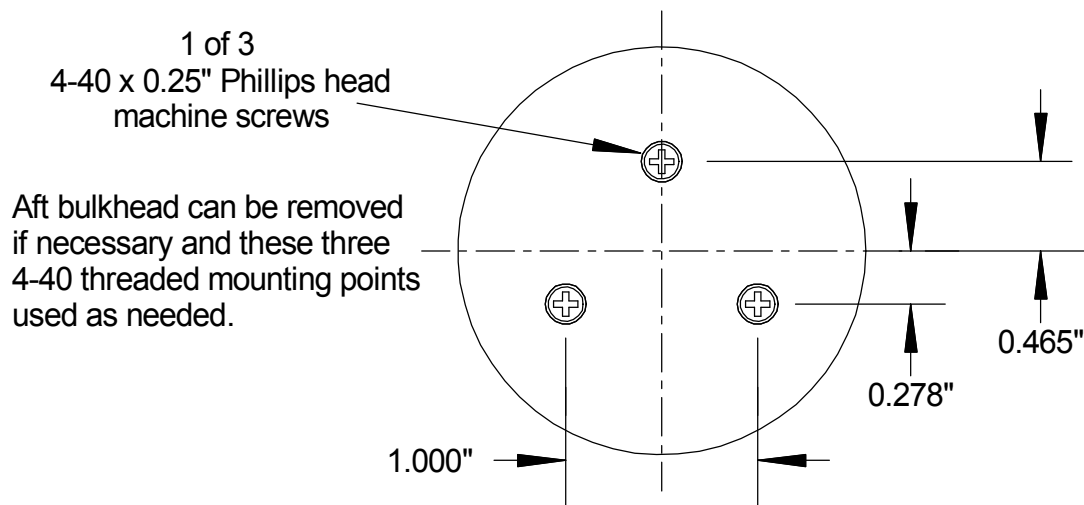
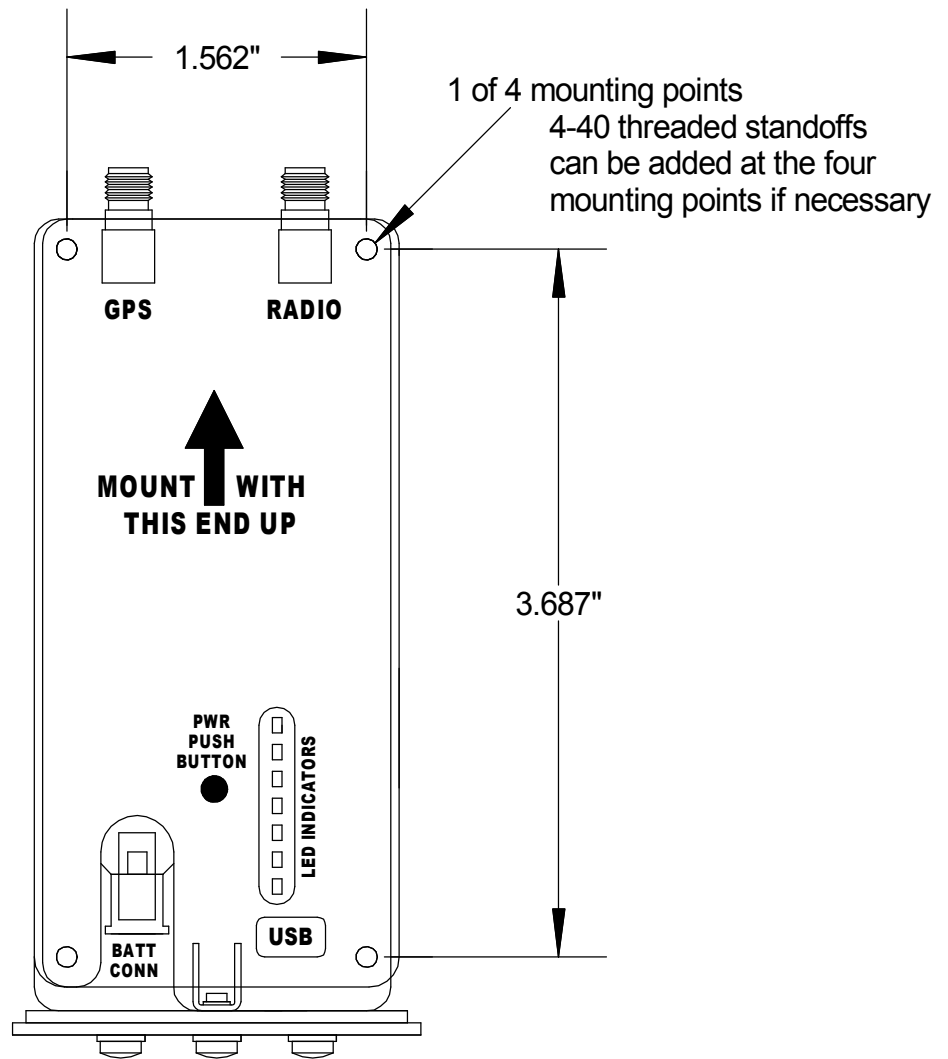
Mx150 Option-10 Tube Mount Version

Engineer: Vern Knowles

7/5/2019

Rev-A

Sheet 2 of 3



Multitronix
www.multitronix.com

Mx150 Option-10 Tube Mount Version

Engineer: Vern Knowles

7/5/2019

Rev-A

Sheet 3 of 3