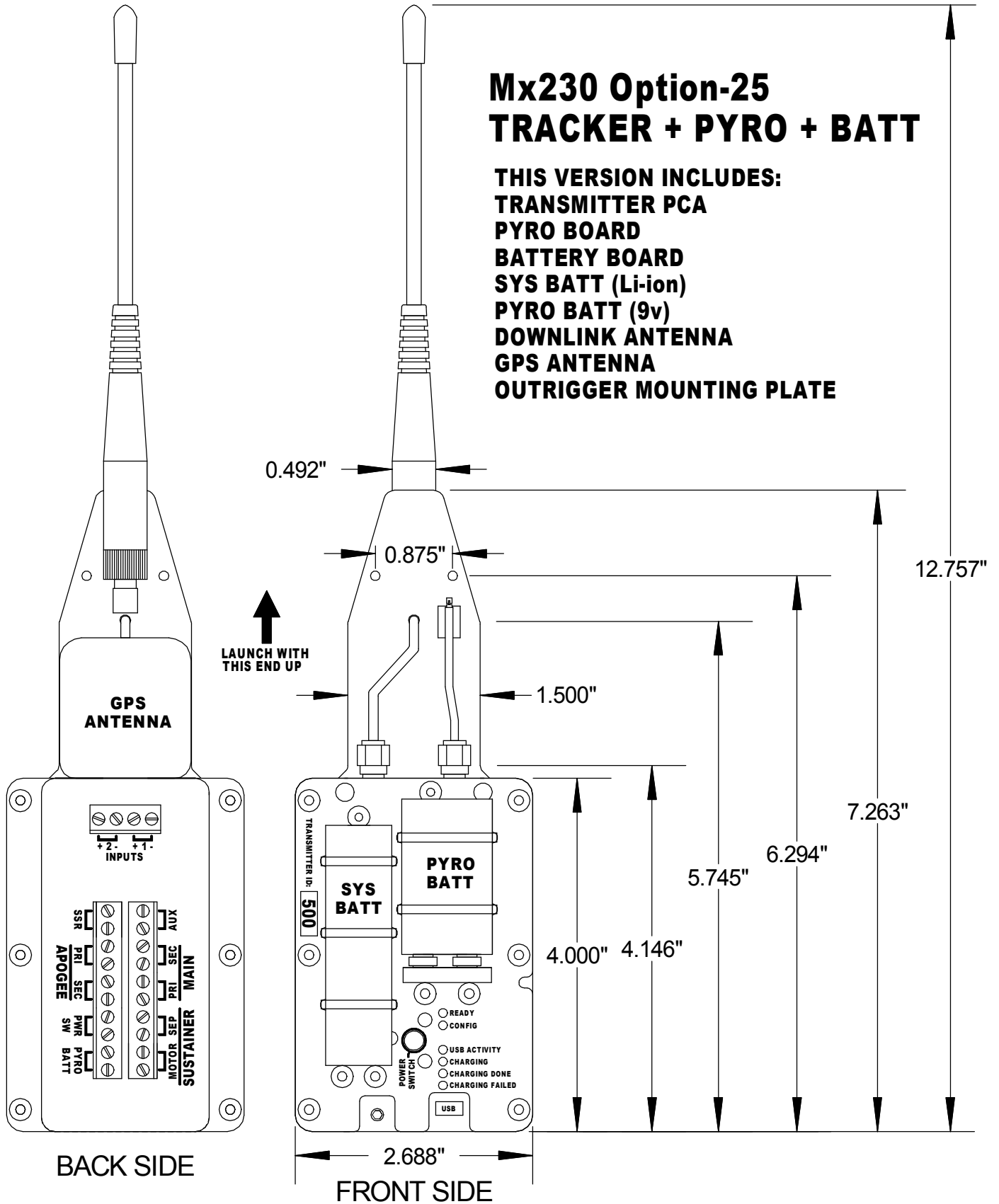


Mx230 Option-25 TRACKER + PYRO + BATT

THIS VERSION INCLUDES:
TRANSMITTER PCA
PYRO BOARD
BATTERY BOARD
SYS BATT (Li-ion)
PYRO BATT (9v)
DOWNLINK ANTENNA
GPS ANTENNA
OUTRIGGER MOUNTING PLATE



Multitronix
www.multitronix.com

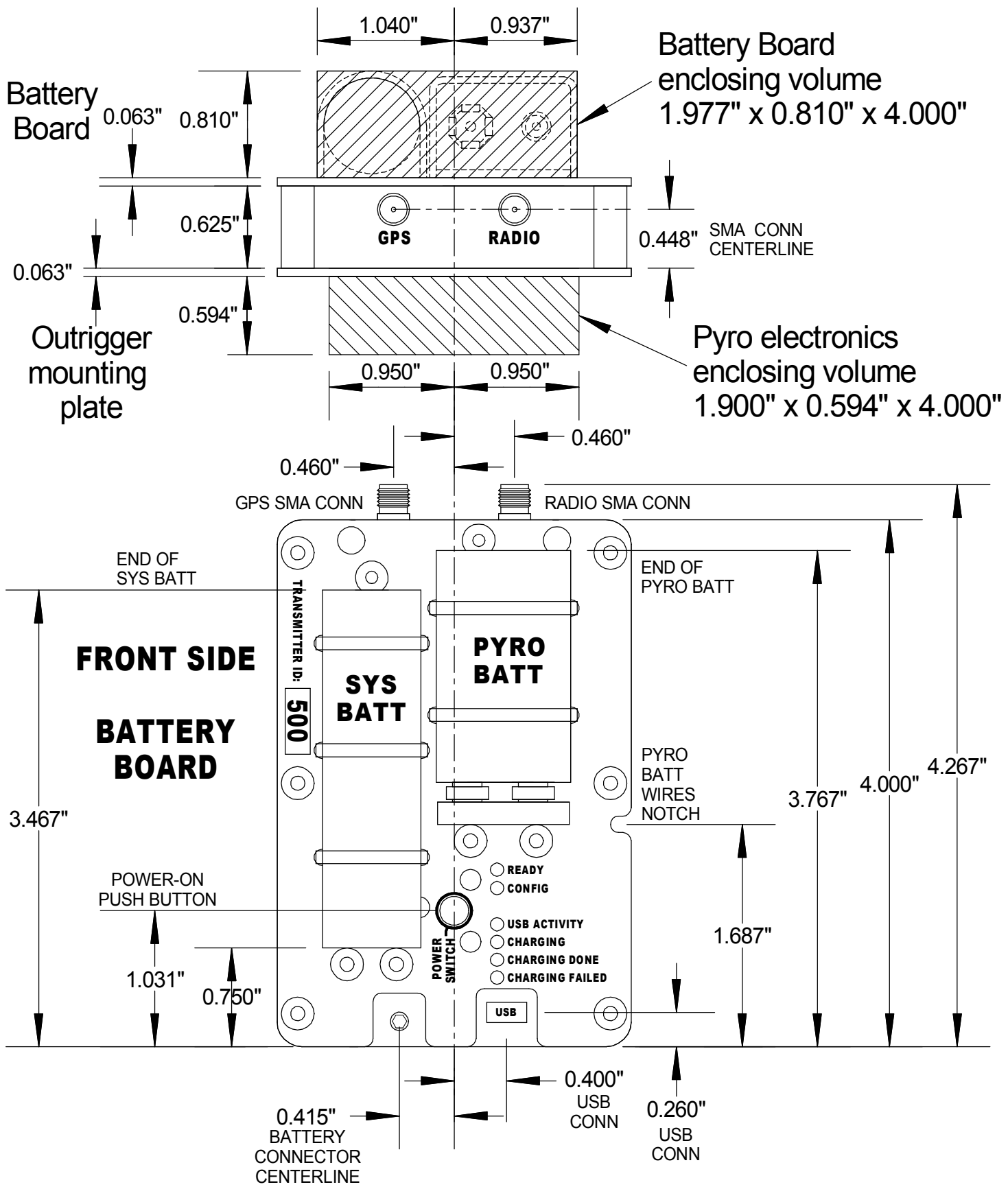
Mx230 Option-25 Battery Board Version

Engineer: Vern Knowles

8/25/2023

Rev-A

Sheet 1 of 5



Multitronix
www.multitronix.com

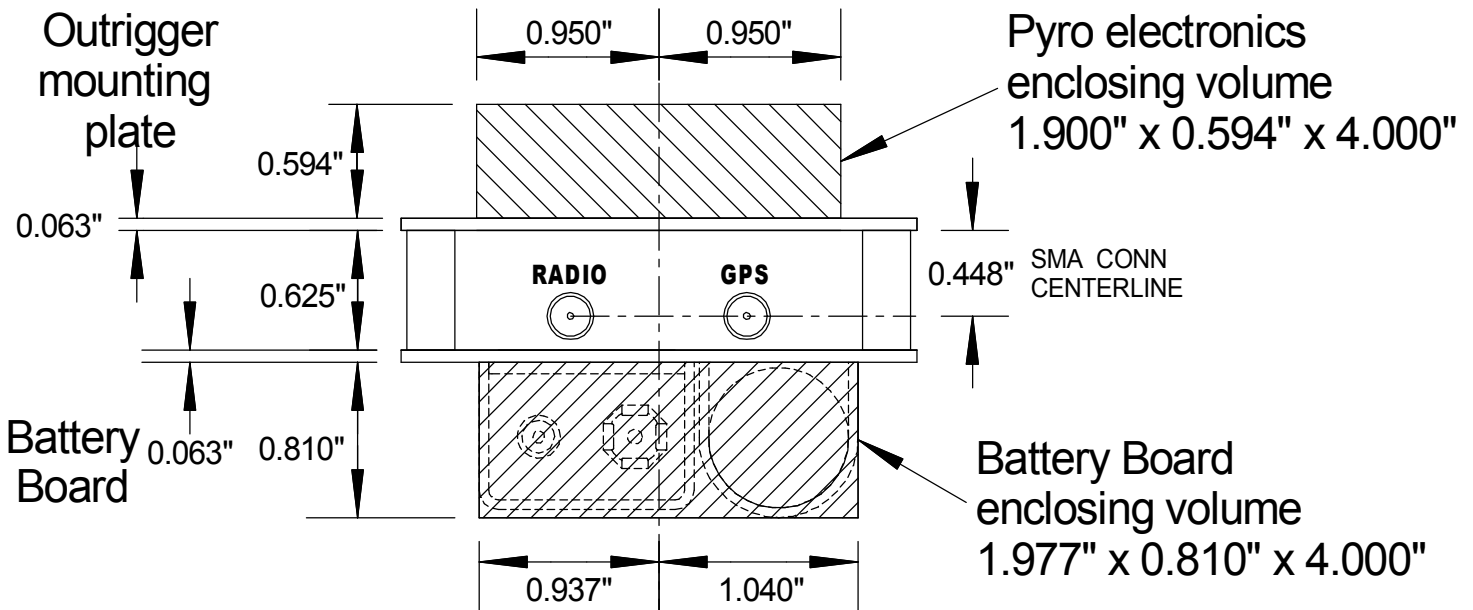
Mx230 Option-25 Battery Board Version

Engineer: Vern Knowles

8/25/2023

Rev-A

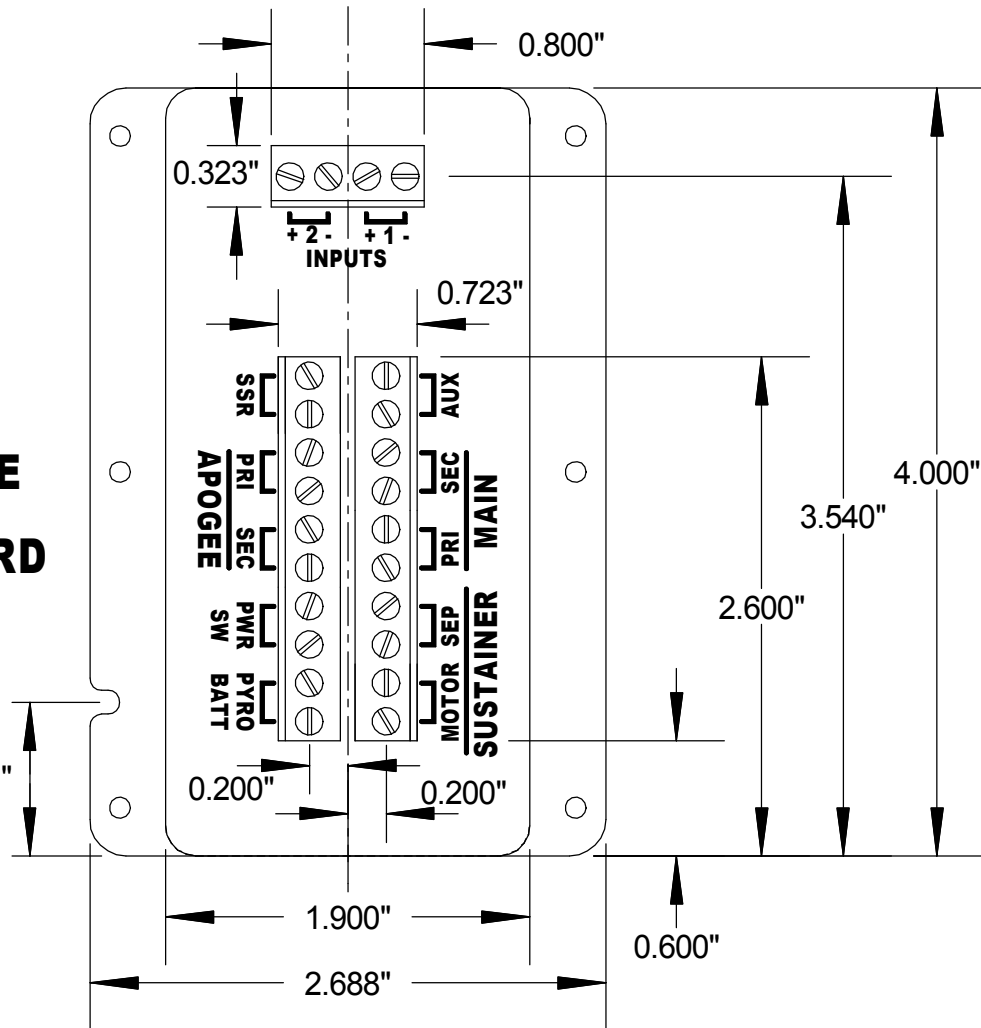
Sheet 2 of 5



LAUNCH WITH THIS END UP

**BACK SIDE
PYRO BOARD**

PYRO BATTERY WIRES NOTCH 0.800"



Multitronix
www.multitronix.com

Mx230 Option-25 Battery Board Version

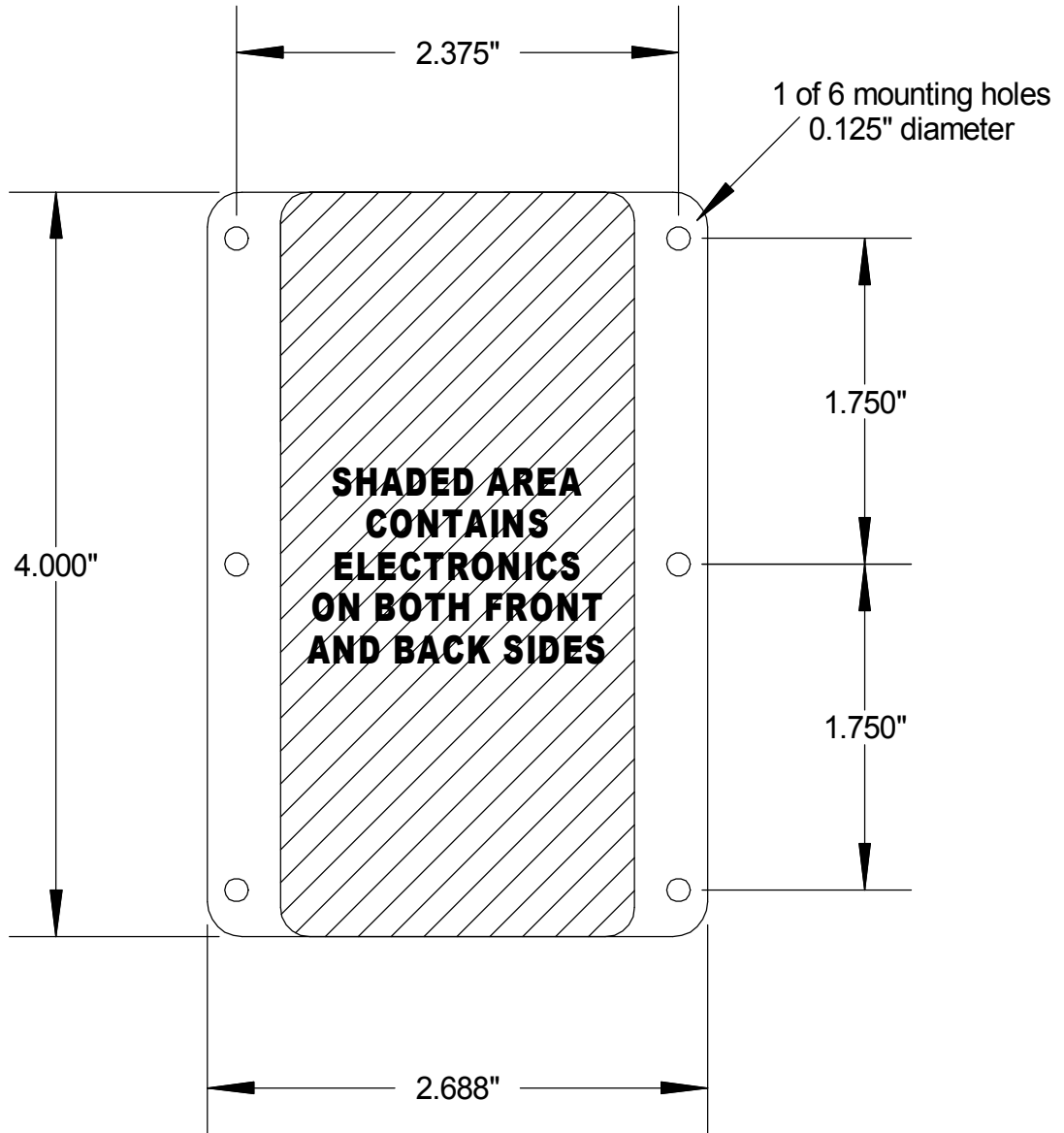
Engineer: Vern Knowles

8/25/2023

Rev-A

Sheet 3 of 5

MOUNTING HOLE DIMENSIONS



Multitronix
www.multitronix.com

Mx230 Option-25 Battery Board Version

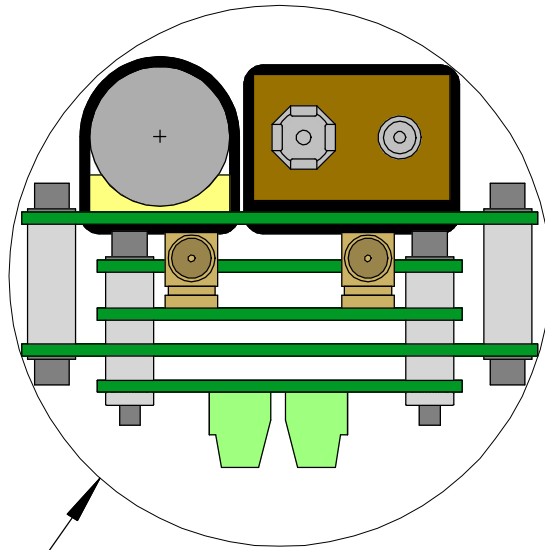
Engineer: Vern Knowles

8/25/2023

Rev-A

Sheet 4 of 5

END VIEW



2.820"
Minimum Required Tube Diameter



Multitronix
www.multitronix.com

Mx230 Option-25 Battery Board Version

Engineer: Vern Knowles

8/25/2023

Rev-A

Sheet 5 of 5